

Supplied Hardware

- **Base (Parts Kit: CP6PK)**

- (1) Base Casting
- (1) Door Casting
- (2) 1/4" x 1/2" Hex Head Bolt
- (1) 14-4 Copper Ground Lug
- (1) 1/4" Internal Lock Washer
- (2) 3/8" x 3/4" Set Screw*

- **Cable Tether (Parts Kit: CTPK)**

- (1) 5/16" x 7" Hex Head Bolt
- (1) 18" Cable Looped Assembly
- (1) 5/16" Spring Lock Washer
- (1) 5/16" Galvanized Hex Nut
- (2) 5/16" Flat Washer
- (1) 5/8" Galvanized Jam Nut
- (2) 5/8" Flat Washer

- **Anchor Bolt Kit (Parts Kit: 25LD1PK)**

- (4) 5/8" x 16" Galvanized L-Bolt
- (4) 5/8" Galvanized Hex Nut
- (4) 5/8" Galvanized Flat Washer

- **Top Cap (Parts Kit: 4840TCSSPK)**

- (1) Top Cap Casting
- (3) 1/4" x 3/8" Set Screws
- (1) 1/2" Insulating Sleeve
- (2) IN1/420 1/4" Insert Nuts

- **Pipe**

*Use if Cable Tether is not specified/supplied in order.

Installation Notes

- Wear approved and specified protective gear during the installation process.
- Apply anti-seize lubricant on all threaded surfaces during the installation process.
- Use appropriate setting tool for insert nut installation.
- Feed wire and connect mounted devices as needed throughout the installation process.
- **TORQUE WRENCH VALUES:**
 - 1/4" Bolt: Seven ft-lbs. (7 ft-lbs.)
 - 5/16" Bolt: Eleven ft-lbs. (11 ft-lbs.)
 - 5/8" Anchor Bolt: Ninety-Four ft-lbs. (94 ft-lbs.)
 - 5/8" Cable Tether Jam Nut: Twenty-Five ft-lbs. (25 ft-lbs.)

- Assembly Questions? Call 952-467-4402 or email freymfg@freymfgcorp.com



Insert Nut Install

Installation

- **Install Anchor Bolts into Concrete**
 - Pour specified concrete foundation.
 - Insert the “L” end of the anchor bolts into the wet concrete with threads protruding from surface.
 - Let concrete cure ensuring the anchor bolts are in a six-inch (6”) bolt circle. Use template if necessary.

- **Fasten Copper Ground Lug on Base**

- **Fasten Base to Anchors**
 - Place the base casting over the anchors.
 - Use a level and leveling shim(s), if needed, to plumb the base.
 - Place one 5/8” Galvanized Flat Washer over each anchor bolt.
 - Fasten with one 5/8” Galvanized Nut on each anchor bolt.

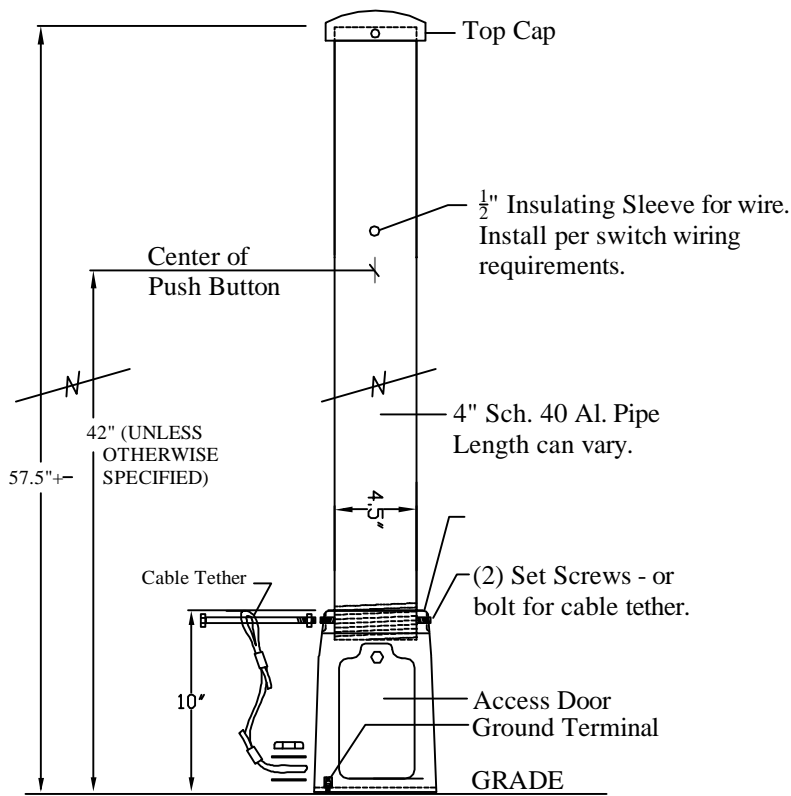
- **Install Cable Tether on Anchor Bolt* (Skip this Step if Not Specified/Supplied)**
 - Looking through the door opening, install the cable tether on the back-left anchor bolt.
 - Place one 5/8” Flat Washer over the anchor bolt.
 - Place one end of the looped cable assembly over the anchor bolt.
 - Place a second 5/8” Flat Washer over the anchor bolt.
 - Fasten using the 5/8” Galvanized Jam Nut.

- **Secure Top Cap on Pipe**

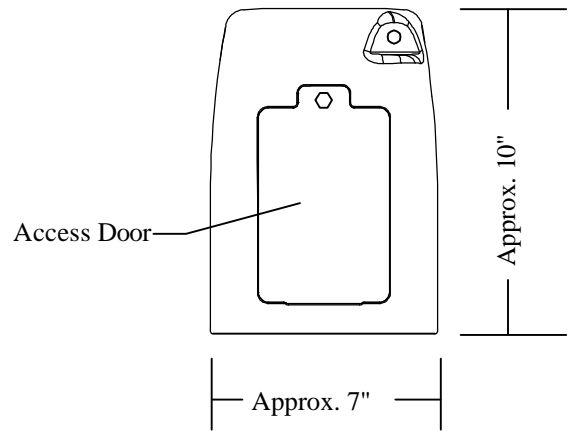
- **Fasten Pipe on Base**
 - Thread the pipe into the base. Ensure there is no wobble or movement between the pipe and base. *Do not use pipe threads for directional adjustment of signals.*
 - Secure Pipe to Base with one of the following:*
 - Install the 3/8” x 3/4” set screws at the top of the base and into pipe threads.
 - Install Cable Tether Kit.
 - Using an 11/32” bit, drill through the 3/8” threaded holes in the top of the base and through the pipe on both sides of the base and pipe.
 - Install the 5/16” x 7” thru-bolt through the base and pipe making sure to pass through the remaining end of the looped cable tether assembly inside the base.
 - Fasten thru-bolt with supplied hardware.
 - If an APS/Button is specified on the pole, mount with the supplied insert nuts.

- **Install Base Door on Base**

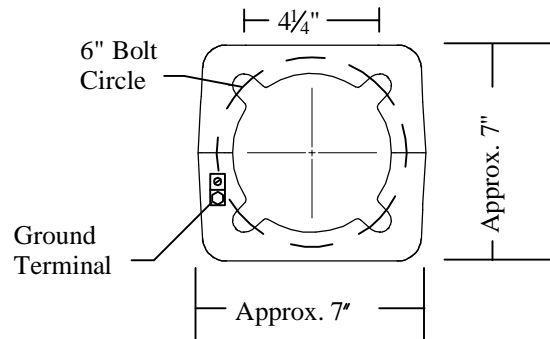
*If the Cable Tether is NOT specified/supplied, use 3/8” x 3/4” Set



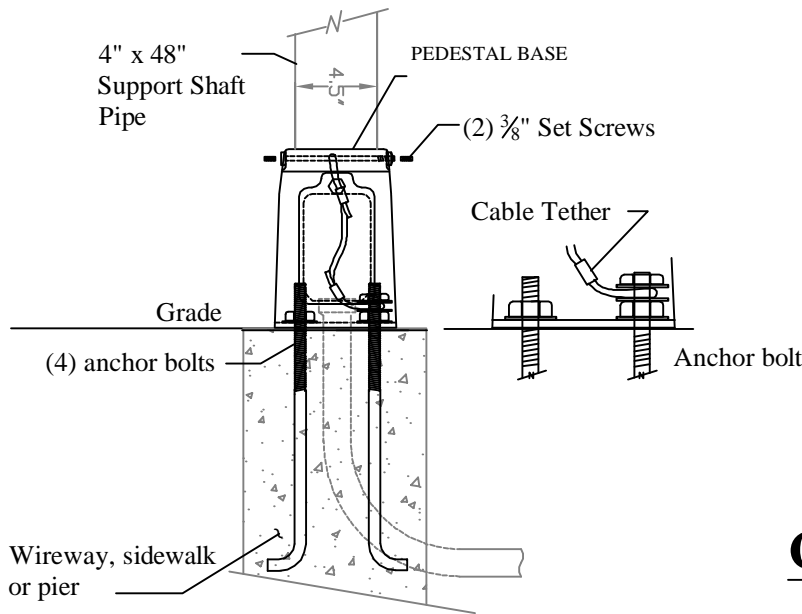
CROSSWALK PEDESTAL ASSEMBLY



BASE SIDE VIEW



BASE BOTTOM VIEW



BASE MOUNTING

Crosswalk Pedestal

NOT TO SCALE

HARDWARE MEETS OR EXCEEDS STATE SPECIFICATIONS

FREY
Manufacturing Corp.
www.FreyMfgCorp.com

Patent 9493918
Made in USA
Phone: 952-467-4402

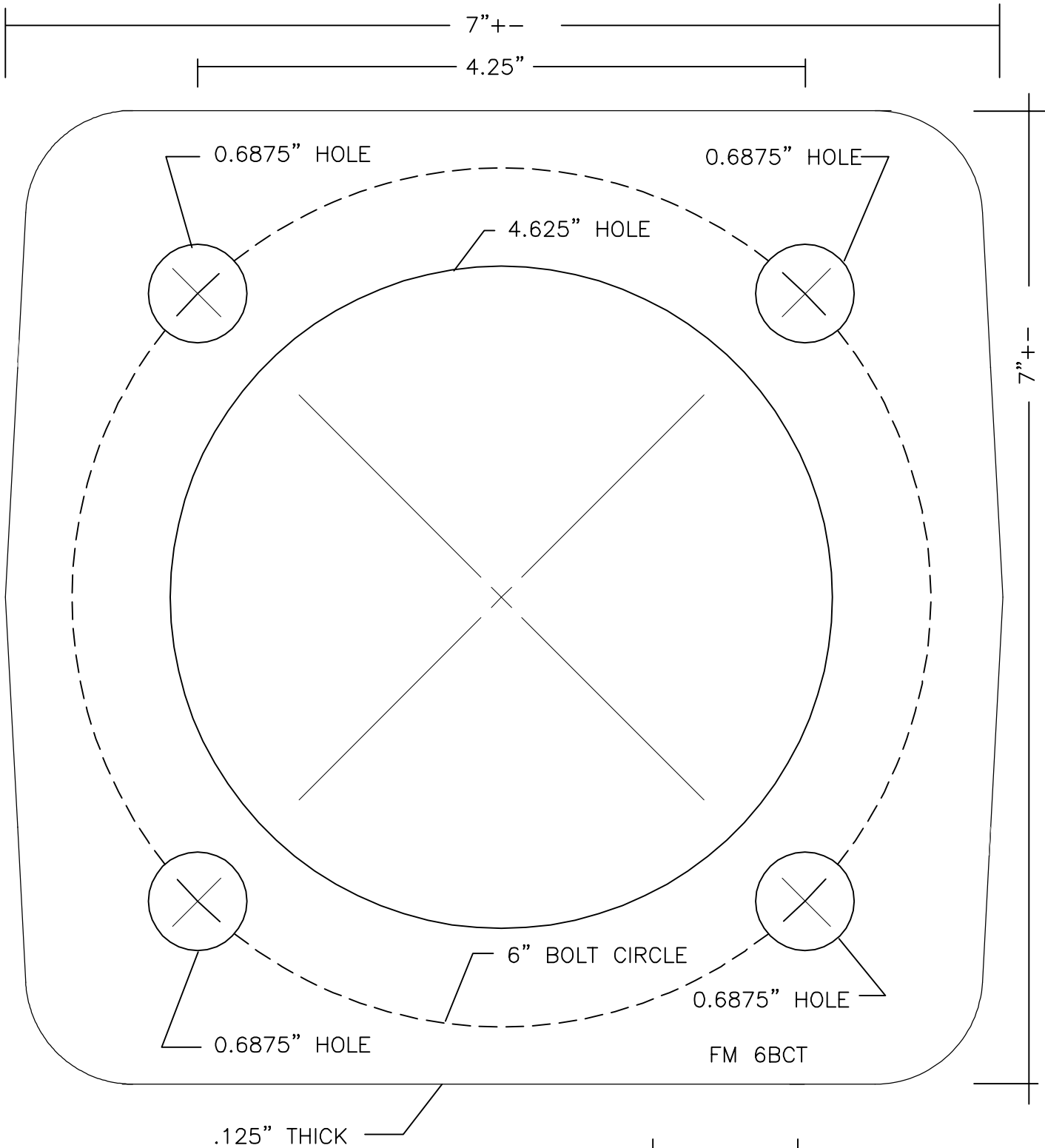
CROSSWALK PEDESTAL
Generic Installation

DATE DWG. NO. REV.

11-30-17

8.3.3

-



Scale: 1"=1"

DRAWING CAN BE PRINTED FULL SCALE.
 IF THIS LINE IS NOT 1 INCH LONG,
 ADJUST MEASUREMENTS ACCORDINGLY.
 DO NOT PHOTOCOPY ORIGINAL.