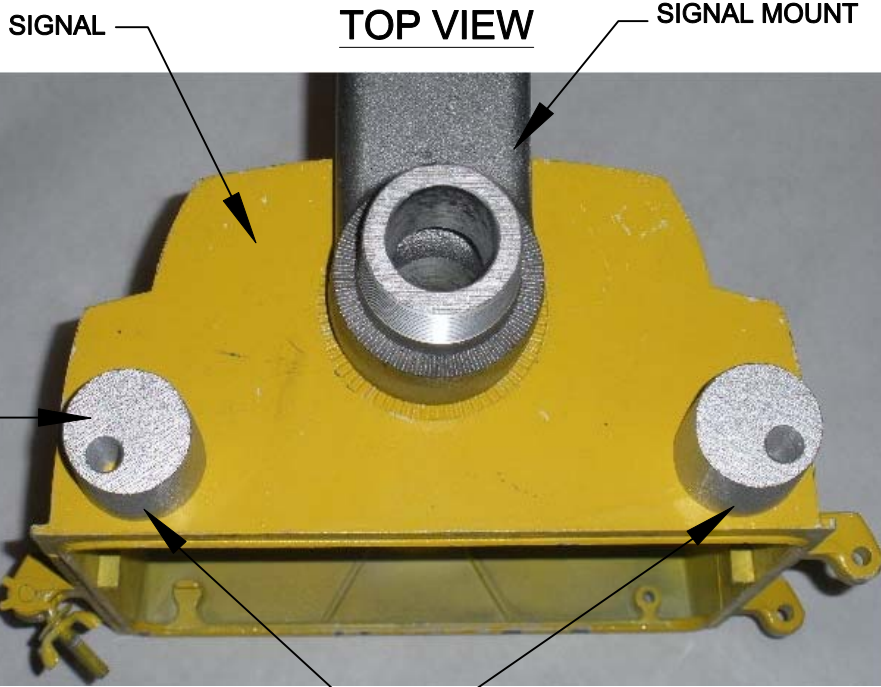


11F SPACER  
(2) REQUIRED



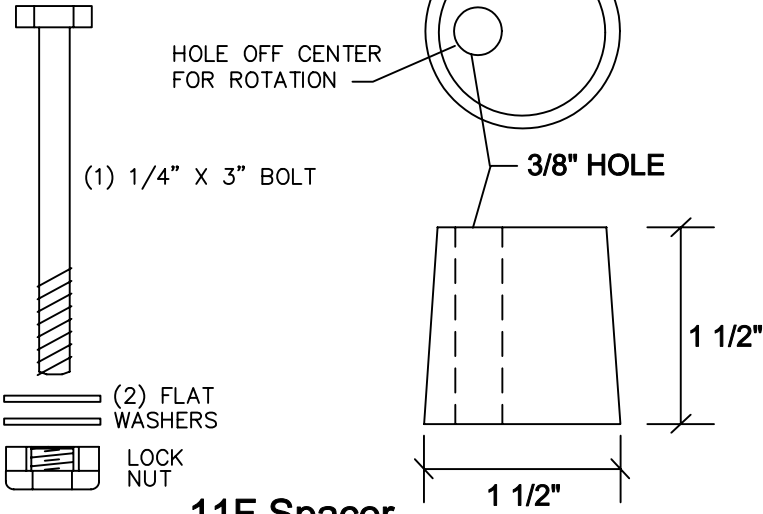
ROTATE TO BEST POSITION  
BETWEEN SIGNALS. ATTACH  
USING SUPPLIED HARDWARE,  
TWO REQUIRED PER MOUNT.  
CASTING CAN BE INVERTED.

11F SPACER SUPPLIED HARDWARE  
HARDWARE MEETS OR EXCEEDS Mn/DOT SPECIFICATIONS

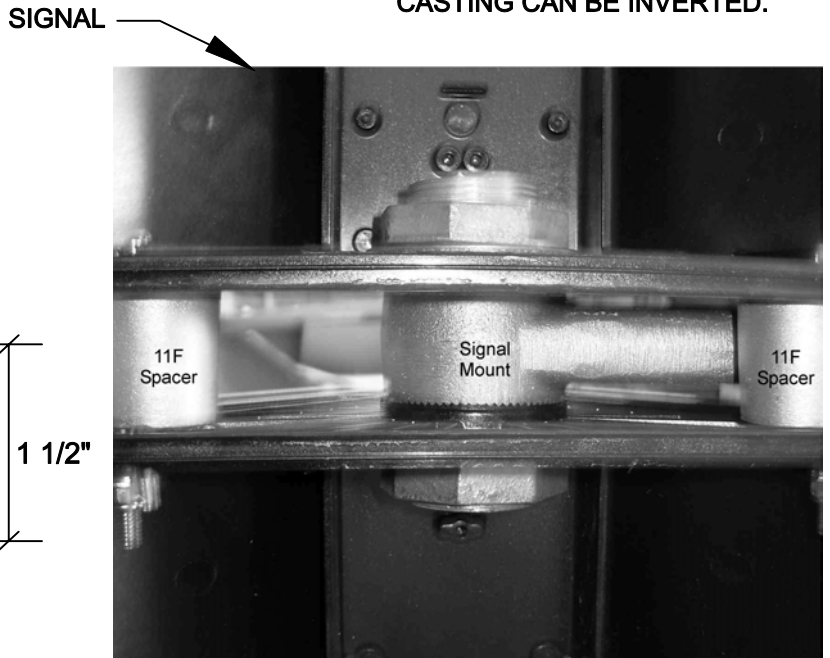
11F SPACER CASTING

- (1) 1/4" X 3" BOLT
- (2) 1/4" FLAT WASHER
- (1) 1/4" LOCK NUT

APPLY ANTI-SEIZE LUBRICANT TO  
ALL THREADED SURFACES.



**11F Spacer**



**11F Spacer Installed**

11F SPACERS ALLOW THREE POINT STRESS  
RELIEF FOR MOUNTING SIGNALS  
HORIZONTALLY, OR FOR PLASTIC  
VEHICLE SIGNALS.

NOT TO SCALE

# 11F SPACER

REVISION DATE  
**02-09-09**

**Frey Manufacturing Corporation**  
13150 STEWART AVE., NORWOOD, MN 55368-9675  
VOICE/FAX 952-467-4402

DWG NO. REV  
**5A 1**