

32D STRAP ADAPTER SUPPLIED HARDWARE

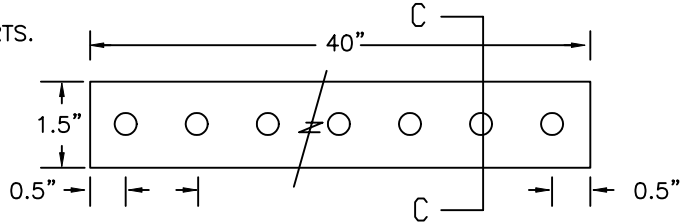
HARDWARE MEETS OR EXCEEDS Mn/DOT SPECIFICATIONS

- (1) 11D UNIVERSAL HUB ALUMINUM CASTING
- (4) 11RW ROCKING WASHER
- (2) 25G STRAP (UP TO 44" Ø, OR 14" O.D.*)
- (1) 1" X 3/4" BUSHING
- (1) 1 1/4" X 3" SCH. 40 PVC WIREWAY
- (1) 1 1/4" O RING SEAL
- (4) 1/4" X 3/4" TRUSS HEAD BOLT
- (4) 1/4" SPRING LOCK WASHER
- (4) 1/4" FLAT WASHER
- (4) 1/4" NUT
- (4) 25TB "T" BOLT
- (2) 5/16" X 3/4" BOLT (STRAP LOCK BOLT)
- (6) 5/16" SPRING LOCK WASHER
- (4) 5/16" FLAT WASHER
- (4) 5/16" NUT

APPLY ANTI-SEIZE LUBRICANT TO ALL THREADED SURFACES.



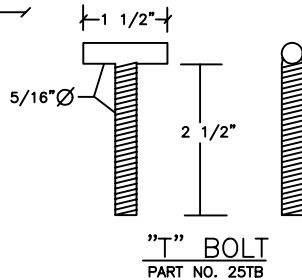
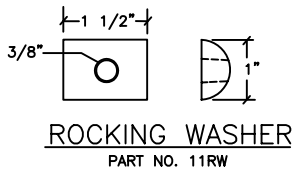
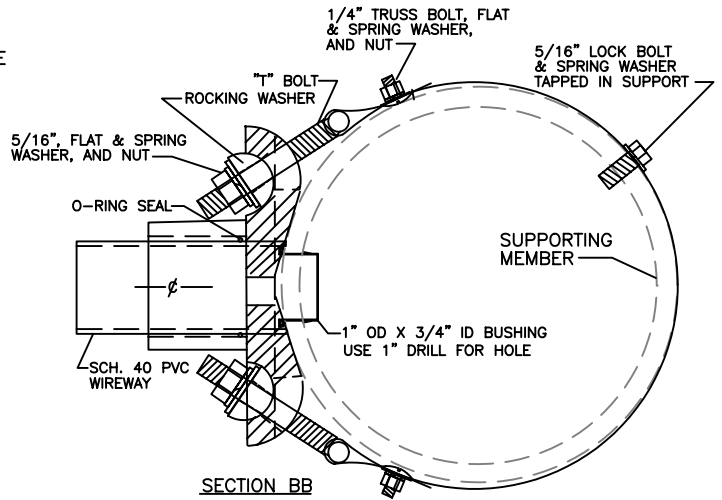
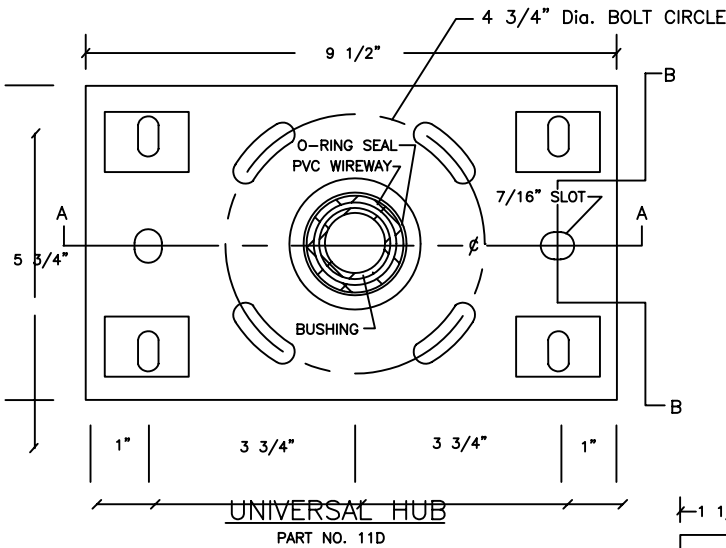
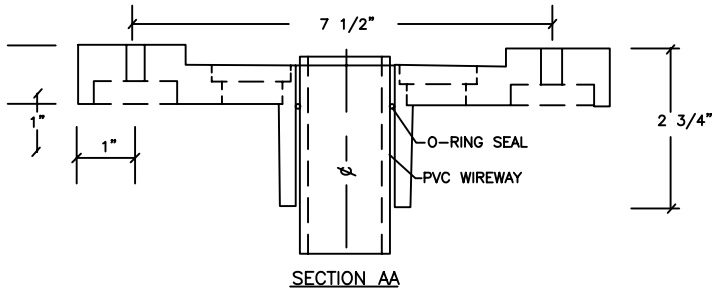
* NOTE:
 STRAPPING NOT RECOMMENDED FOR LARGER DIAMETER SUPPORTS.
 FOR LARGER DIAMETER SUPPORTS, USE THRU-BOLT ROD.
 FOR FLAT SURFACES, BOLT DIRECTLY TO SURFACE.
 ALSO SEE 32UB UNIVERSAL HUB-BOLTED, OR
 32DR THRU-BOLT ADAPTER.



PUNCHED HOLE RIM EXTENSION
 .345" HOLE .062" INCLUDING HOLE RIM
 22 Ga. 304-2B STAINLESS STRAP

SECTION CC

PART NO. 25G, 40" STRAP
 (TWO REQUIRED FOR ASSEMBLY)



NOT TO SCALE

32D STRAP ADAPTER

Frey Manufacturing Corporation
 13150 STEWART AVE., NORWOOD, MN 55368-9675
 VOICE/FAX 952-467-4402

DATE
 02-09-09

DWG NO.
 4

REV
 1