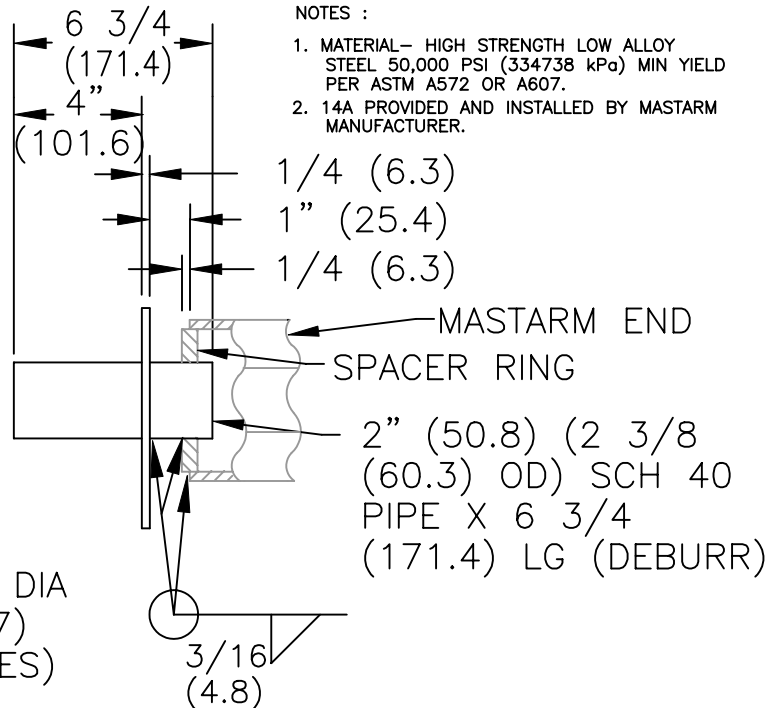
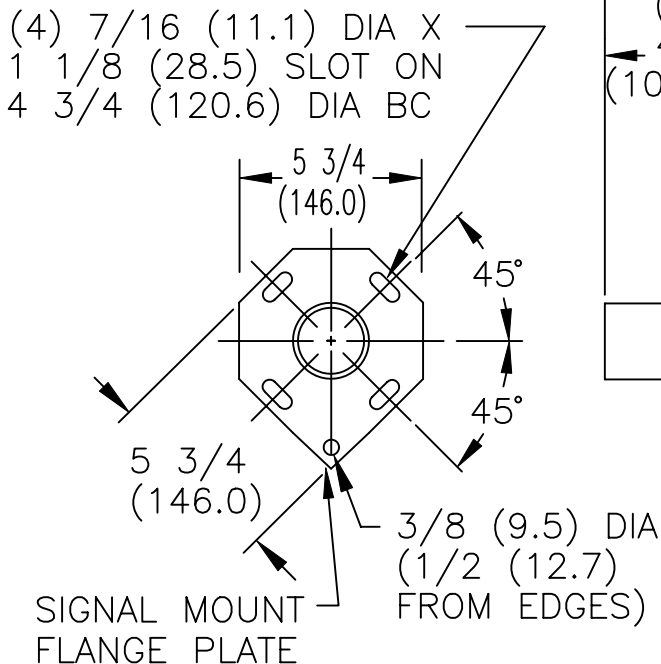


NOTES :

1. MATERIAL- HIGH STRENGTH LOW ALLOY STEEL 50,000 PSI (334738 kPa) MIN YIELD PER ASTM A572 OR A607.
2. 14A PROVIDED AND INSTALLED BY MASTARM MANUFACTURER.

**MASTARM MID SIGNAL COUPLING FLANGE 14A**



NOTES :

1. MATERIAL- HIGH STRENGTH LOW ALLOY STEEL 50,000 PSI (334738 kPa) MIN YIELD PER ASTM A572 OR A607.
2. 14A PROVIDED AND INSTALLED BY MASTARM MANUFACTURER.

**MASTARM END SIGNAL COUPLING FLANGE 14A**

**WELDED TYPE COUPLING FLANGE 14A**

REVISION DATE

-

**Frey Manufacturing Corporation**  
13150 STEWART AVE., NORWOOD, MN 55368-9675  
VOICE/FAX 952-467-4402

DWG NO. REV

**3A**