

32B TWO-WAY SIGNAL MOUNT SUPPLIED HARDWARE

HARDWARE MEETS OR EXCEEDS M/DOT SPECIFICATIONS

- (1) 11B TWO-WAY MOUNT CASTING
- (4) 2" ID O-RING
- (4) 3/8"X3" BOLT
- (8) 3/8" FLAT WASHER
- (4) 3/8" SPRING LOCK WASHER
- (4) 3/8" NUT
- (2) 11G TAPERED WASHER CASTING
- (1) 25N 3/4" CONDULET COVER & (2) SCREWS
- (1) 3/4" CONDULET GASKET

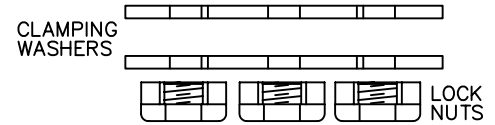
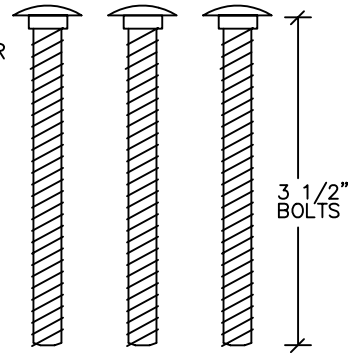
APPLY ANTI-SEIZE LUBRICANT TO ALL THREADED SURFACES.

NOT INCLUDED

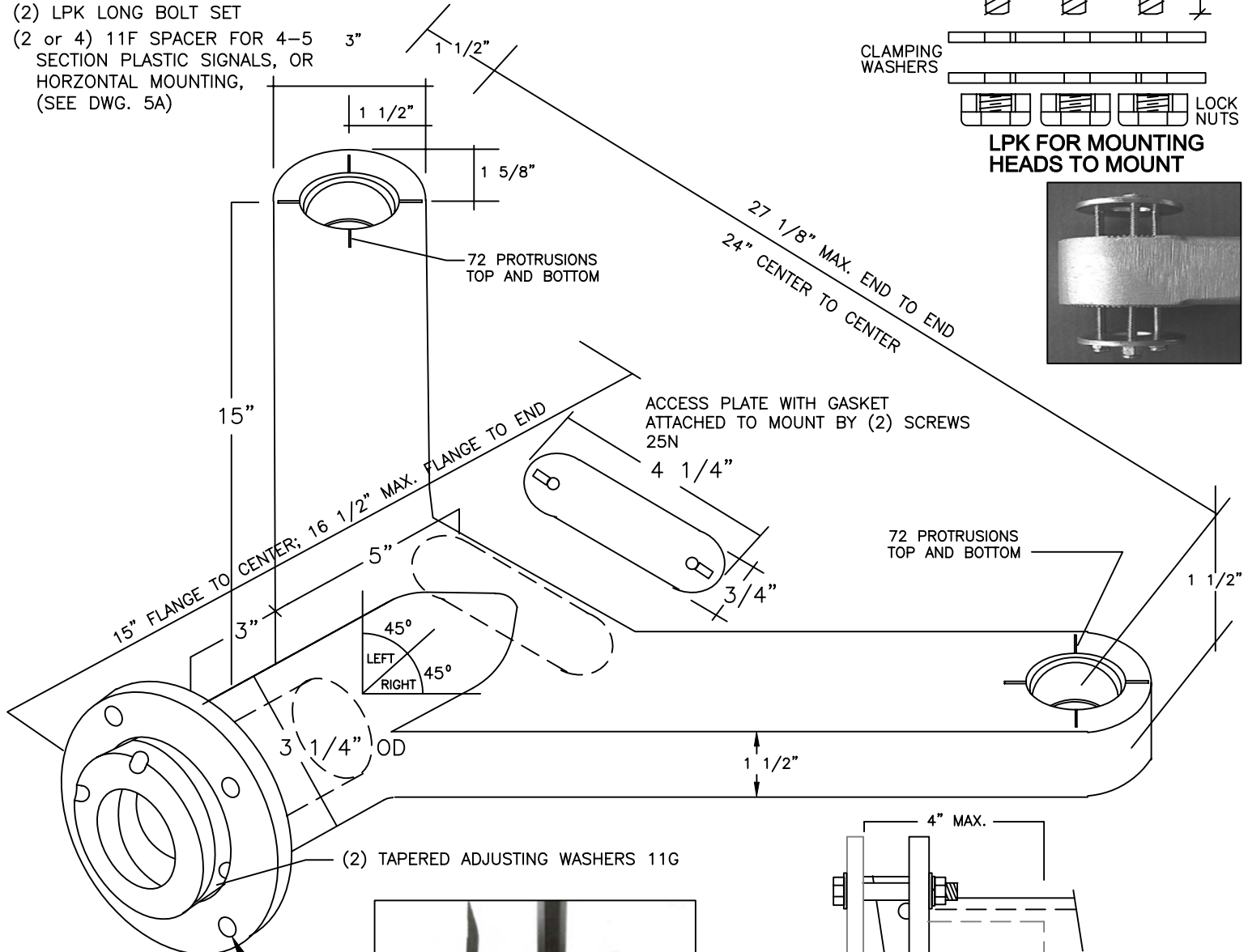
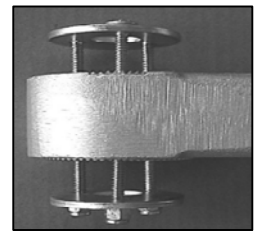
- (2) LPK LONG BOLT SET
- (2 or 4) 11F SPACER FOR 4-5 SECTION PLASTIC SIGNALS, OR HORIZONTAL MOUNTING, (SEE DWG. 5A)

LPK LONG BOLT SET SUPPLIED HARDWARE

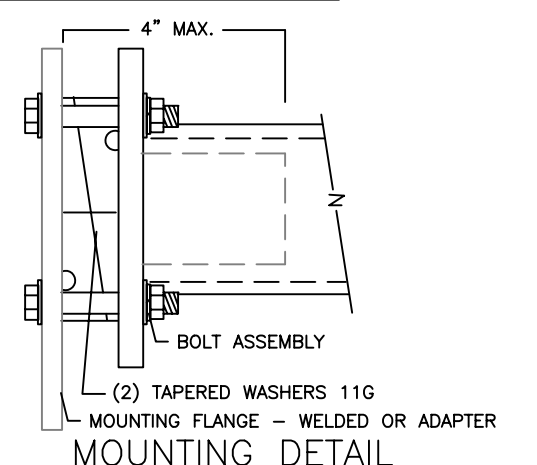
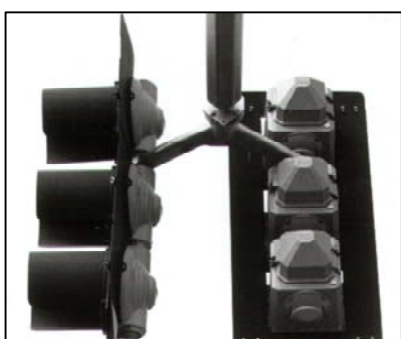
- (3) 3 1/2" X 1/4" G2 PLATED CARRAGE BOLTS
- (2) PLATED STAINLESS STEEL CLAMPING WASHER
- (3) 1/4" PLATED LOCK NUTS



LPK FOR MOUNTING HEADS TO MOUNT



FOUR 7/16" DIA. HOLES EQUALLY SPACED ON A 4 3/4" DIA. BOLT CIRCLE.



32B TWO-WAY SIGNAL MOUNT

DATE 02-09-09

Frey Manufacturing Corporation 13150 STEWART AVE., NORWOOD, MN 55368-9675 VOICE/FAX 952-467-4402

DWG NO. 2 REV 2