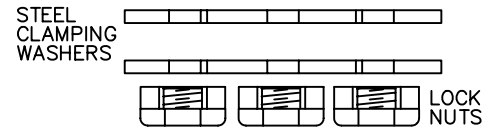
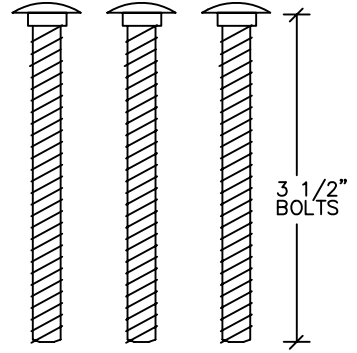


32A ONE-WAY SIGNAL MOUNT SUPPLIED HARDWARE

- (1) 11A ONE-WAY MOUNT CASTING
 - (2) 2" ID O-RING
 - (4) 3/8" X 2 3/4" G5 PLATED BOLTS
 - (8) 3/8" FLAT WASHERS
 - (4) 3/8" PLATED SPRING LOCK WASHERS
 - (4) 3/8" PLATED NUT
 - (2) 11G TAPERED WASHER CASTING
- FASTENERS ALSO AVAILABLE IN 18-8 STAINLESS STEEL

LPK LONG BOLT SET SUPPLIED HARDWARE

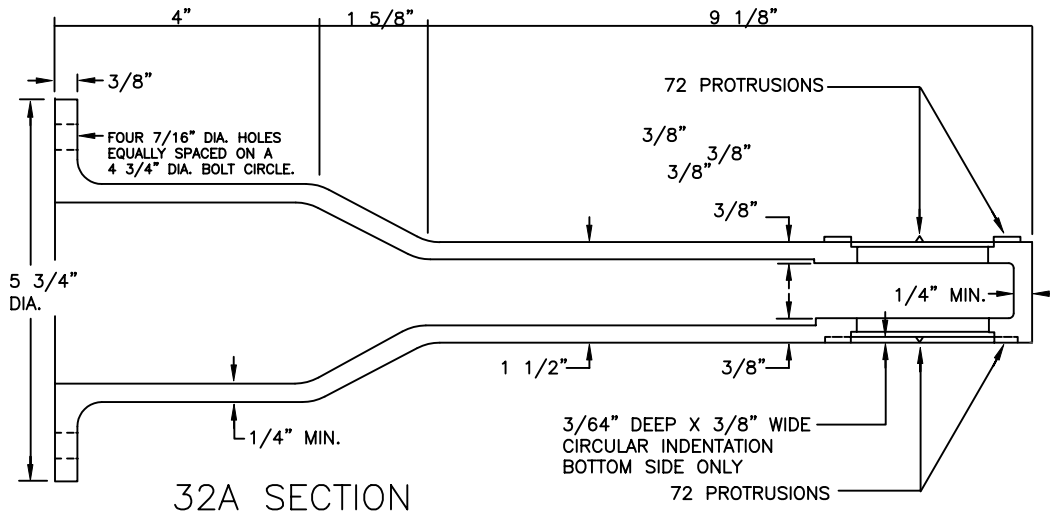
- (3) 3 1/2" X 1/4" G2 PLATED CARRAGE BOLTS
- (2) PLATED STEEL CLAMPING WASHERS
- (3) 1/4" PLATED LOCK NUTS



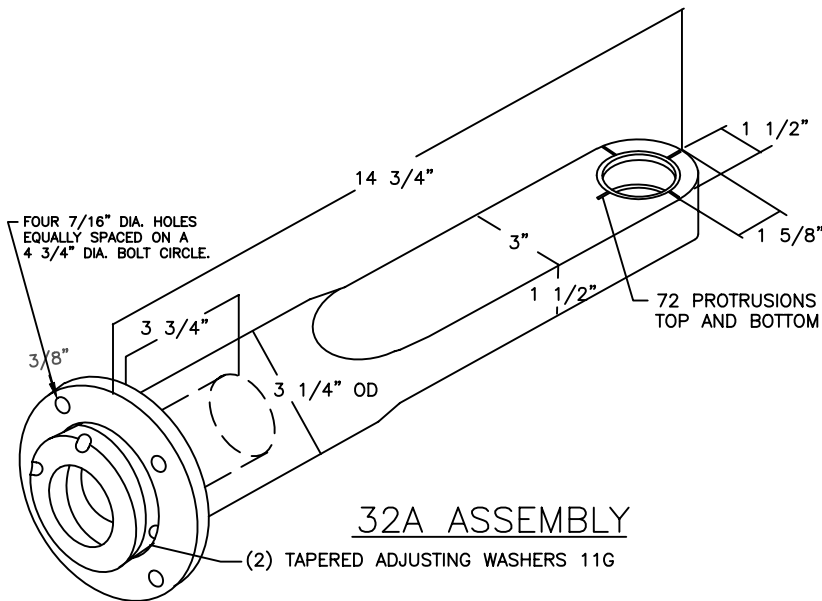
LPK FOR MOUNTING HEADS TO MOUNT

RECOMMENDED

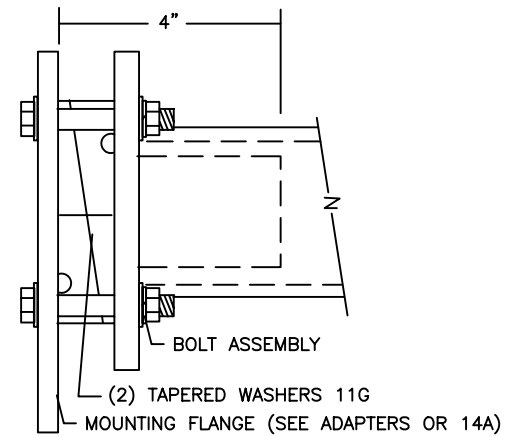
- (1) LPK LONG BOLT SET (HEAVY PLATED STEEL WASHERS)
- (2) 11F SPACER FOR 4-5 SECTION PLASTIC SIGNALS, OR HORIZONTAL MOUNTING, (SEE DWG. 5A)



32A SECTION



32A ASSEMBLY



MOUNTING DETAIL

ONE-WAY SIGNAL MOUNT & LPK DETAILS

DATE
2-16-05

Frey Manufacturing Corporation
13150 STEWART AVE., NORWOOD, MN 55368-9675
VOICE/FAX 952-467-4402

DWG NO. REV
1C