

32A SUPPLIED HARDWARE

- (1) 11A ONE-WAY MOUNT CASTING
- (2) 2" ID O-RING
- (4) 3/8"X2 3/4" 18-8 SS BOLTS
- (8) 3/8" 18-8 SS FLAT WASHERS
- (4) 3/8" 18-8 SS SPRING LOCK WASHER
- (4) 3/8" 18-8 SS NUT
- (2) 11G TAPERED WASHER CASTING

RECOMMENDED

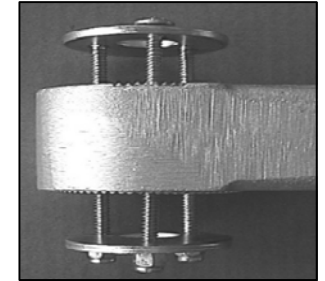
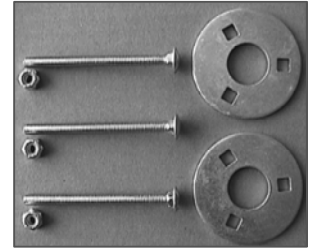
- (1) LPK LONG BOLT SET
- (2) 11F SPACER FOR 4-5 SECTION PLASTIC SIGNALS, OR HORIZONTAL MOUNTING, (SEE DWG. 5A)

NOTE

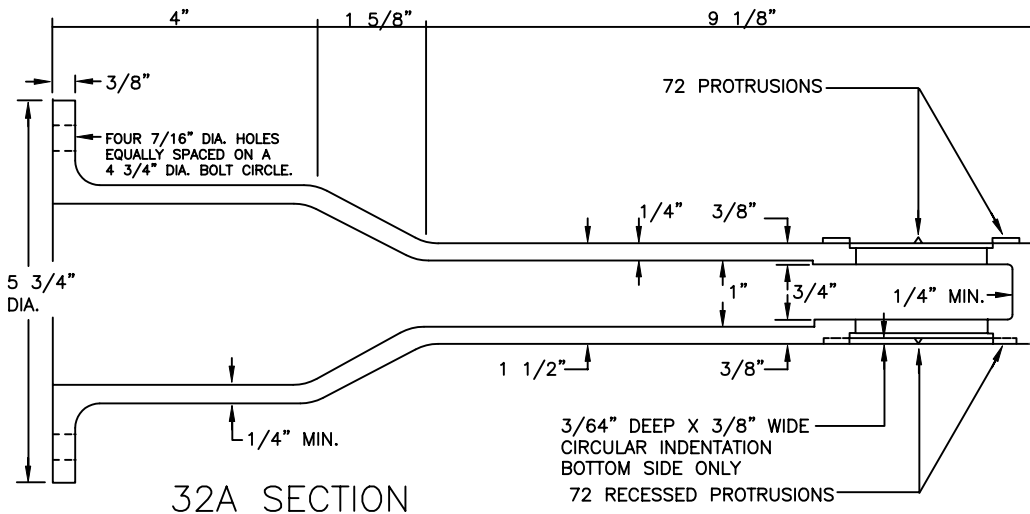
ALSO AVAILABLE WITH GRADE 5 PLATED STEEL HARDWARE, CAT. NO. 32A



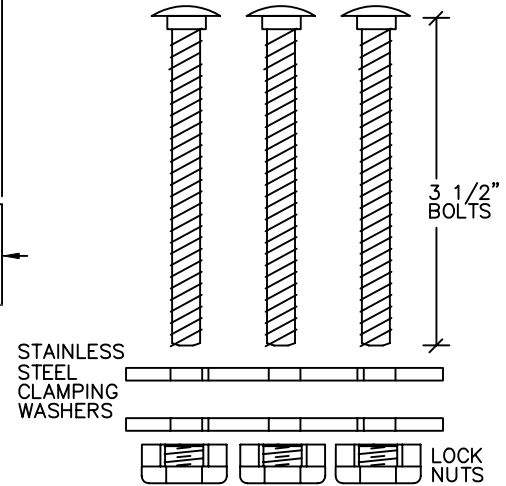
32A ONE-WAY SIGNAL MOUNT



PARTS KIT "LPK"

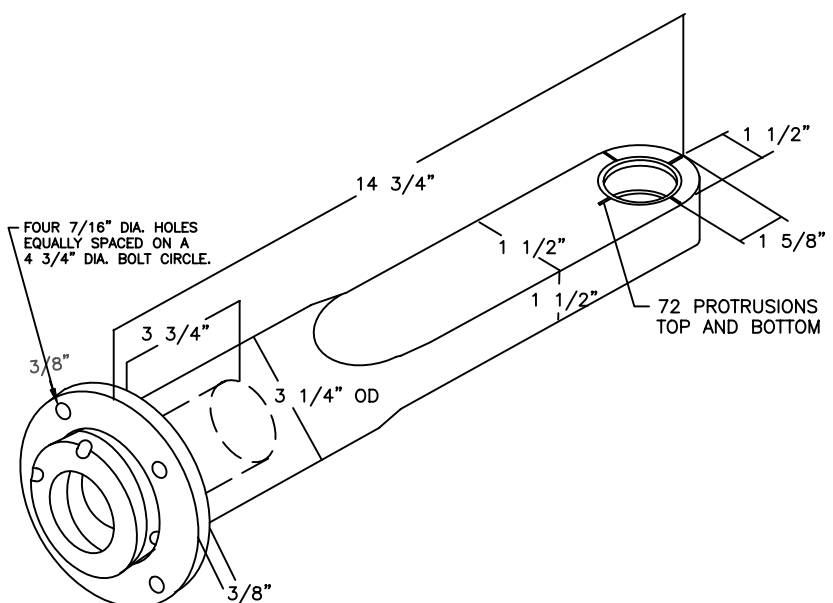


32A SECTION

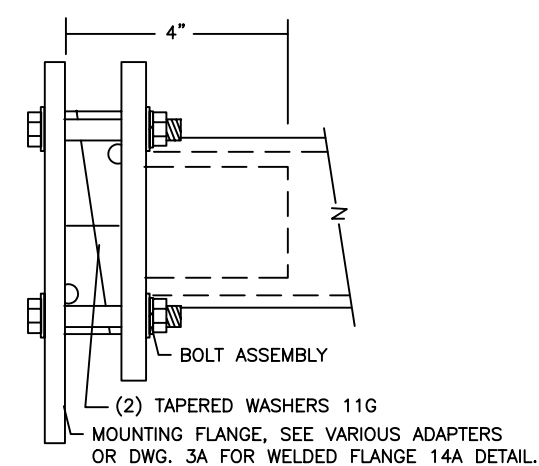


LPK FOR MOUNTING HEADS TO MOUNT

NOTE: ALSO SEE "CAP" ON DWG. 18



32A-SS ASSEMBLY



MOUNTING DETAIL

32A-SS ONE-WAY SIGNAL MOUNT

REVESED DWG. 3-30-07	Frey Manufacturing Corporation 13150 STEWART AVE., NORWOOD, MN 55368-9675 VOICE/FAX 952-467-4402	DWG NO. 1A	REV 1
--------------------------------	---	----------------------	-----------------