

11R BALL

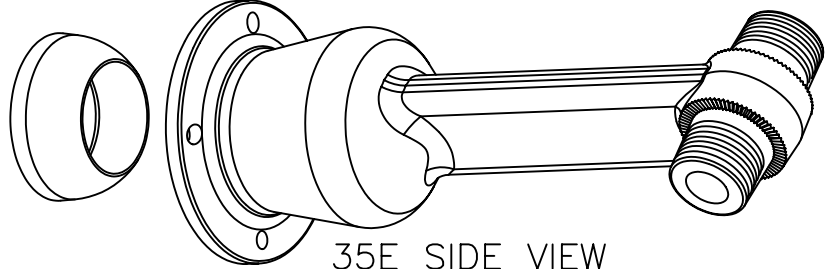
**35E ELEVATOR PLUMBIZER SUPPLIED HARDWARE**

HARDWARE MEETS OR EXCEEDS Mn/DOT SPECIFICATIONS

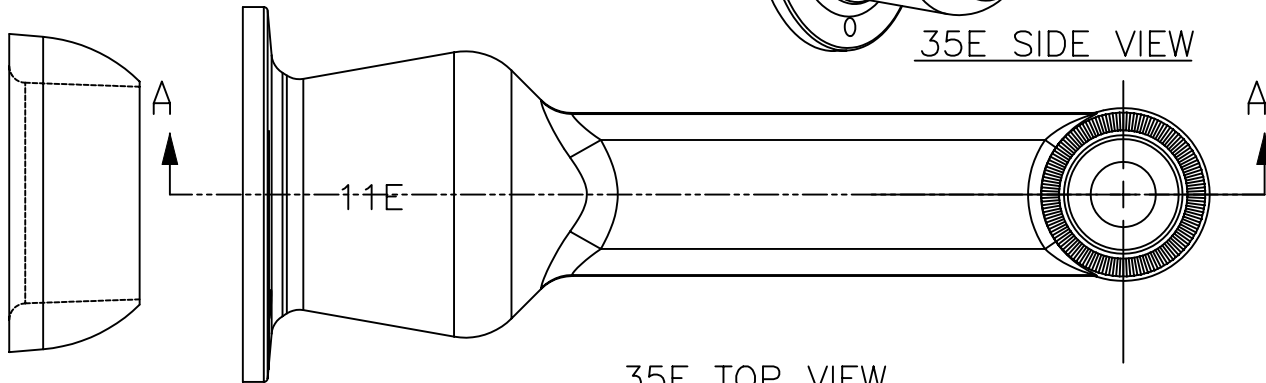
- (1) 11E PLUMBIZER CASTING
  - (1) 11R BALL CASTING
  - (4) 3/8" X 2 1/2" BOLT
  - (8) 3/8" FLAT WASHER
  - (4) 3/8" SPRING LOCK WASHER
  - (4) 3/8" NUT
  - (2) 25PN 1 1/2" PIPE THREAD LOCK NUT
  - (2) 25MB 2" ID 10 Ga. MACHINE BUSHING (FLAT WASHER)
- APPLY ANTI-SEIZE LUBRICANT TO ALL THREADED SURFACES.

**NOT INCLUDED**

- (2) 11F SPACER REQUIRED FOR 4-5 SECTION PLASTIC SIGNALS, OR HORIZONTAL MOUNTING, (SEE DWG. 5A)
- (1) 15PC PEDESTRIAN CAP FOR PEDESTRIAN SIGNAL MOUNTING (SEE DWG. 9.1.0.)

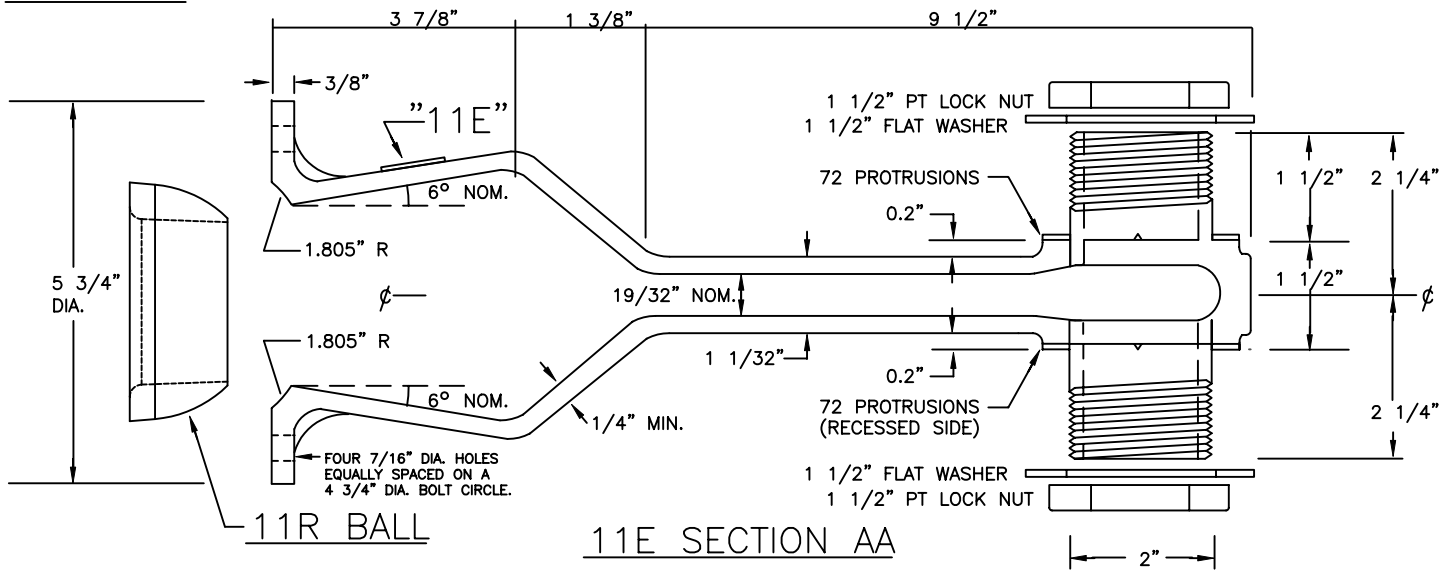


35E SIDE VIEW



35E TOP VIEW

11R BALL



11E SECTION AA

35E ELEVATOR PLUMBIZER - (ALL CASTINGS AND PARTS ASSEMBLY)

**35E ELEVATOR PLUMBIZER**

DATE  
02-09-09

**Frey Manufacturing Corporation**  
13150 STEWART AVE., NORWOOD, MN 55368-9675  
VOICE/FAX 952-467-4402

DWG NO. REV  
**1.01 1**

