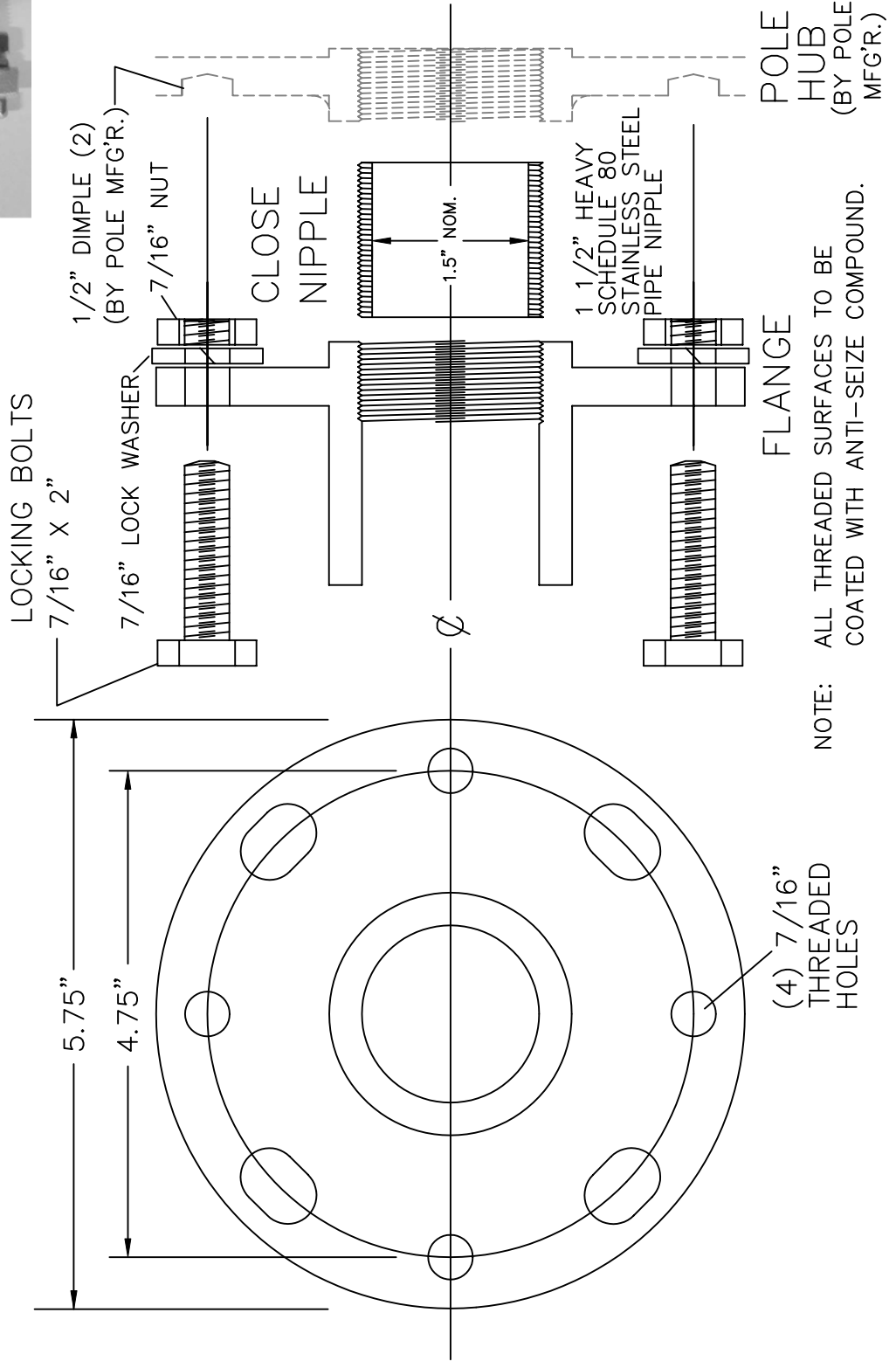


45B THREADED POLE ADAPTER SUPPLIED HARDWARE  
HARDWARE MEETS OR EXCEEDS Mfr/DOT SPECIFICATIONS

- (1) 45B THREADED POLE ADAPTER ALUMINUM CASTING
- (1) 1 1/2" NPT SCH. 80 HD STAINLESS STEEL CLOSE NIPPLE
- (2) 7/16" X 2" BOLT
- (2) 7/16" SPRING LOCK WASHER
- (2) 7/16" NUT

APPLY ANTI-SEIZE LUBRICANT TO ALL THREADED SURFACES.



NOTE: ALL THREADED SURFACES TO BE COATED WITH ANTI-SEIZE COMPOUND.

45B THREADED POLE ADAPTER

**45B THREADED POLE ADAPTER**

DATE  
02-09-09

**Frey Manufacturing Corporation**  
13150 STEWART AVE., NORWOOD, MN 55368-9675  
VOICE/FAX 952-467-4402

DWG NO. REV  
**18 2**