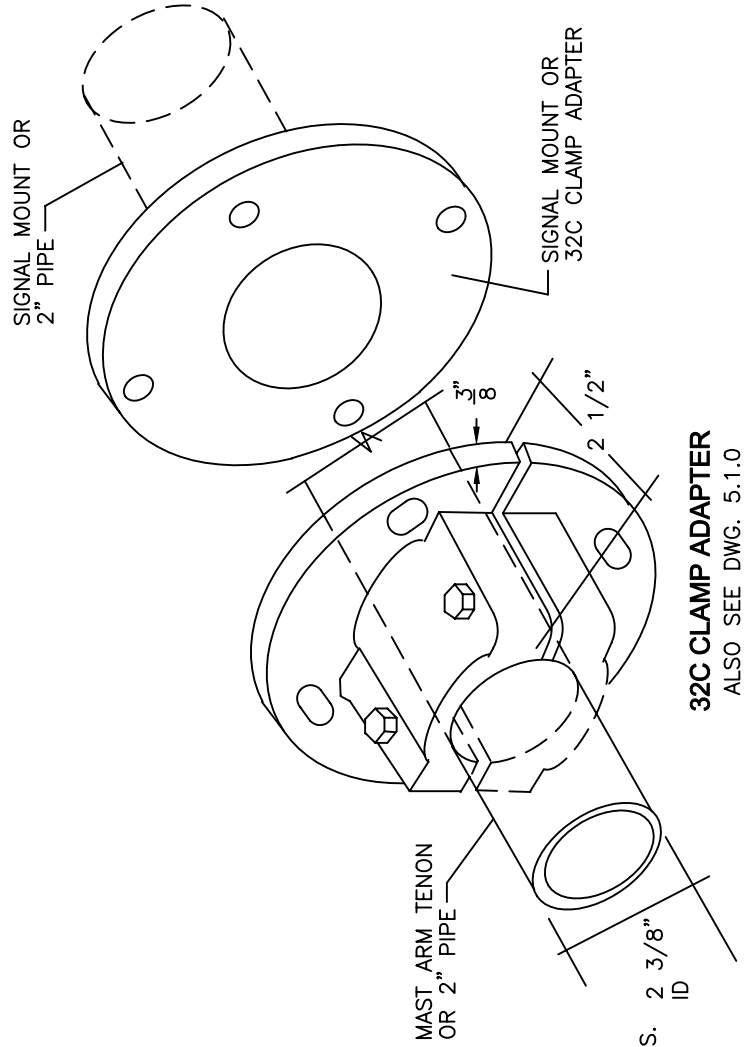


**5' MAST ARM EXTENSION**

CAT. NO. 35E3C50AL



**35E3C50AL 5' MAST ARM EXTENSION SUPPLIED HARDWARE**  
HARDWARE MEETS OR EXCEEDS M8/1007 SPECIFICATIONS

- (3) 32C CLAMP ADAPTERS - SEE DWG. 5.1.0
- (1) 50" SCHEDULE 40 ALUMINUM PIPE\*
- (1) 35E ELEVATOR PLUMBIZER
- (1) C TO C PARTS KIT:
- (4) 3/8" X 1 1/2" BOLT
- (2) 3/8" SPRING LOCK WASHER
- (2) 3/8" NUT

APPLY ANTI-SEIZE LUBRICANT TO ALL THREADED SURFACES.

**\*NOTE:**

- 1. PIPE MAY ALSO BE FIELD CUT TO LENGTH. 5' EXTENSION IS THE MAXIMUM ALLOWED.

**32C CLAMP ADAPTER**

ALSO SEE DWG. 5.1.0

**35E3C50AL 5' MAST ARM EXTENSION**

DATE  
02-09-09

**Frey Manufacturing Corporation**  
 13150 STEWART AVE., NORWOOD, MN 55368-9675  
 VOICE/FAX 952-467-4402

DWG NO. **17** REV **2**