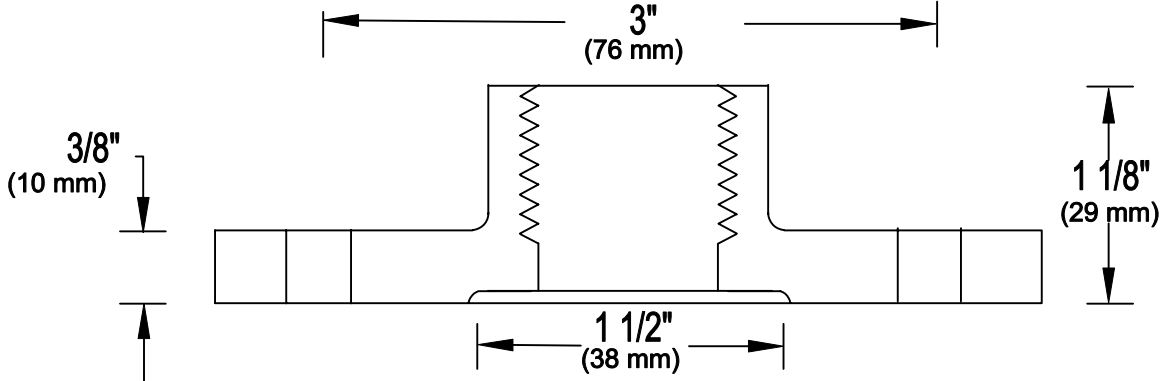
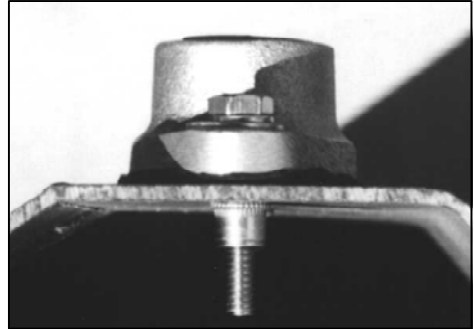
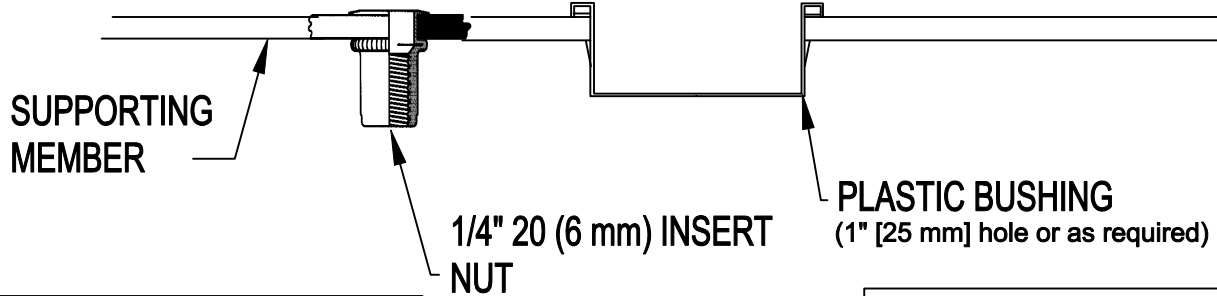


NOTE: BOLTS, FLAT AND LOCK WASHERS SUPPLIED BY MANUFACTURER.

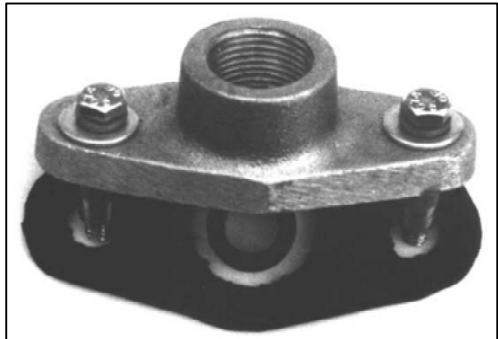
TOP VIEW



SECTION AA



SCALE: 1"=1"  
1 mm=1 mm  
(Pictures not to scale)



KBR - 3/4" PIPE THREAD HUB

REVISION DATE	9-30-99
---------------	---------

Frey Manufacturing Corporation  
13150 STEWART AVE., NORWOOD, MN 55368-9675  
VOICE/FAX 952-467-4402

DWG NO.	15	REV	
---------	----	-----	--