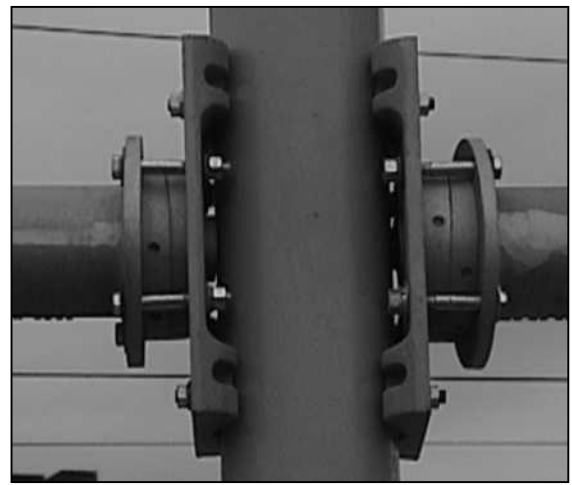
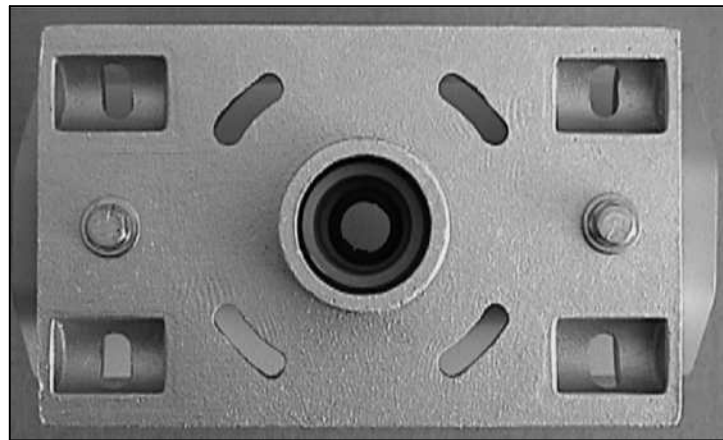
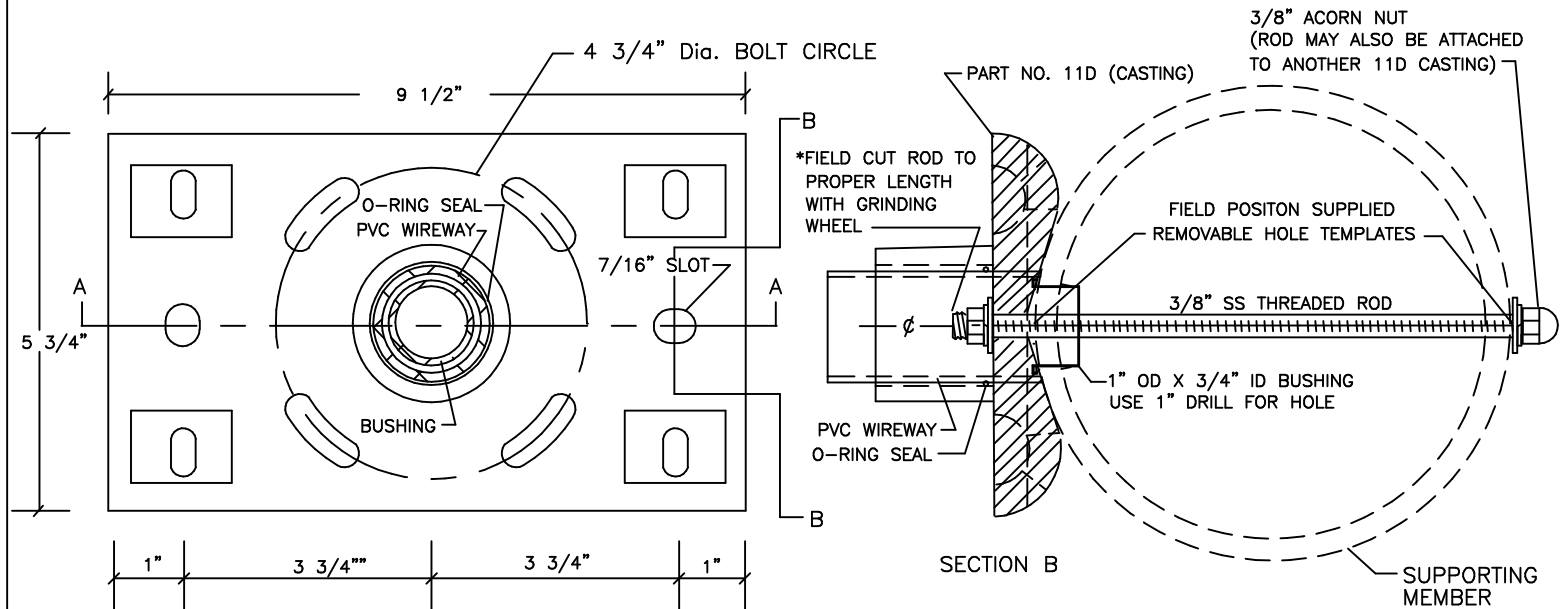




THRU-BOLT ADAPTER



THRU-BOLT ADAPTER SHOWN BACK-TO-BACK



CAT. # 32DR
(ALSO SEE DWG. 16)

32DR SUPPLIED HARDWARE

HARDWARE MEETS OR EXCEEDS Mn/DOT SPECIFICATIONS

- (1) 11D UNIVERSAL HUB ALUMINUM CASTING
 - (1) WIREWAY BUSHING
 - (1) 1 1/4" PVC WIREWAY TUBE
 - (1) O-RING SEAL
 - (2) 3/8" THREADED ROD*
 - (2) 3/8" ACORN NUT
 - (2) 3/8" NUT
 - (4) 3/8" FLAT WASHER
 - (4) 3/8" SPRING LOCK WASHER
 - (2) REMOVABLE HOLE TEMPLATES (FRONT & BACK)
- APPLY ANTI-SEIZE LUBRICANT TO ALL THREADED SURFACES.

*NOTE:
SELECT THRU BOLT LENGTH. USE 12" ROD FOR UP TO 9" DIAMETER SUPPORTING MEMBER, TIGHTEN ACORN NUT WITHIN 1/2 TURN OF BOTTOMING OUT, TIGHTEN 3/8" HEX NUT THEN FINAL TIGHTEN ACORN NUT. WHEEL CUT EXTRA ROD. (CAT. #32DR12). USE 18" ROD FOR UP TO 15" DIAMETER SUPPORTING MEMBER (CAT. #32DR18). CONTINUOUS THREADED ROD CAN BE CUSTOM ORDERED UP TO 12 FEET LONG BY SPECIFYING THE NUMBER OF INCHES IN THE CATALOG NUMBER i.e. 32DRXXX WHERE XXX IS THE NUMBER OF INCHES REQUIRED.

THRU BOLT ADAPTER HARDWARE IS STAINLESS STEEL.

32DR THRU BOLT ADAPTER

DATE
02-09-09

Frey Manufacturing Corporation
13150 STEWART AVE., NORWOOD, MN 55368-9675
VOICE/FAX 952-467-4402

DWG NO. REV
12 1