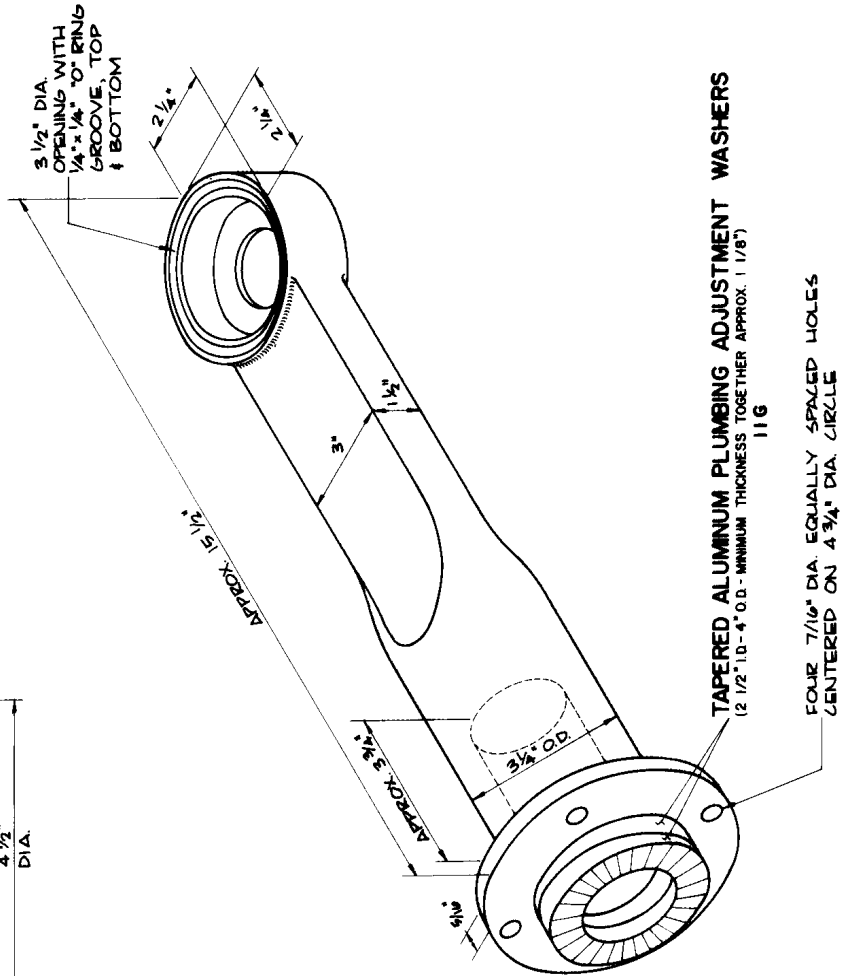


SECTION THROUGH ONE-WAY MOUNT FOR 3M SIGNALS



TAPERED ALUMINUM PLUMBING ADJUSTMENT WASHERS
(2 1/2" I.D. - 4" O.D. - MINIMUM THICKNESS TOGETHER APPROX. 1 1/8")
11 G

FOUR 7/16" DIA. EQUALLY SPACED HOLES
CENTERED ON 4 3/4" DIA. CIRCLE

ONE-WAY MOUNT FOR 3M SIGNALS

32 H

NOTES:

1. THE DEVICES WILL BE CONSTRUCTED OR CAST IN ACCORDANCE WITH SPECIAL PATENTED DEVICES, MATERIALS, AND PROCESSES.
2. SIGNAL HEAD MOUNT AND FLANGE ADAPTER WILL BE OF HIGH STRENGTH CAST ALUMINUM.
3. SIGNAL HEAD MOUNT SHALL BE FASTENED TO FLANGE ADAPTER BY MEANS OF FOUR COMMON STRUCTURAL STEEL BOLTS PER SPEC. EACH WITH TWO FLAT WASHERS, LOCK WASHER, AND NUT.
4. ALL BOLTS, NUTS, AND WASHERS REQUIRED SHALL BE AS REGULARLY SUPPLIED BY THE MANUFACTURER.
5. ONE-WAY MOUNT SHALL BE USED WHEN PLANS OR SPECIAL PROVISIONS CALL FOR ONE-WAY SIGNAL MOUNTED ON SIGNAL MAST ARM.
6. TWO-WAY MOUNT SHALL BE USED WHEN PLANS OR SPECIAL PROVISIONS CALL FOR TWO-WAY SIGNAL MOUNTED ON SIGNAL MAST ARM.
7. TWO SIGNAL INDICATIONS SHALL BE MOUNTED BELOW THE MOUNT AND ALL REMAINING SIGNAL INDICATIONS MOUNTED ABOVE.

ONE-WAY MOUNT FOR 3M SIGNALS

DATE
5-01

Frey Manufacturing Corporation
13150 STEWART AVE., NORWOOD, MN 55368-9675
VOICE/FAX 952-467-4402

DWG NO. **10** REV